

# CATALOGUE

---

D A T A

PUMP APPLICATION INTERFACE



**AUCom**

---

# PUMP APPLICATION INTERFACE

The Pump Application Interface expands the soft starter's input and output functionality and is ideal for applications where greater control and feedback are required. The interface provides three digital inputs and one PT100 sensing input, which can monitor system conditions and trip the soft starter if an unwanted condition occurs.

The Pump Application Interface simplifies installation by removing the need for external timers, relays or temperature monitoring devices. The interface is easy to install and configure, and no special tools or additional software are required - simply plug the interface onto the side of the soft starter. The interface is powered through the soft starter's serial port and individual LEDs indicate the status of each input.

### Inputs

- Low pressure (allows pump priming and detection of broken pipes)
- High pressure (protects against blocked pipes)
- Low water level (protects against dry pumping)
- PT100 (monitors pump temperature)

### Configuration

- Low pressure enable delay
- Selectable trip delays
- Selectable temperature trip point

## SPECIFICATIONS

### Digital inputs

Steady state ..... voltage free, 8 mA max at 24 VDC  
 Cable length ..... 30 m max (unshielded)

### PT100 input

Sensing current ..... 1 mA max  
 Accuracy .....  $\pm 2^\circ\text{C}$   
 Minimum instantaneous trip point .....  
 .....  $92.2\ \Omega$  at  $-20^\circ\text{C}$   
 Open/short circuit protection ..... included  
 Connection ..... 2, 3 or 4 wire  
 Cable length ..... 150 m max (twisted pair/shielded)

### Output

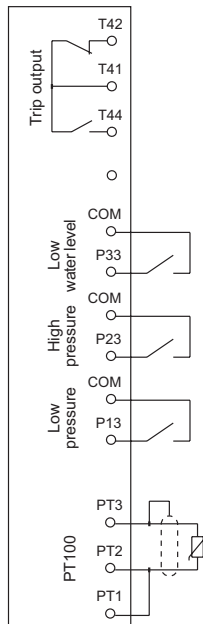
Relay type ..... single pole, changeover  
 Capacity ..... 6 A @ 30 VDC resistive  
 ..... 2 A @ 400 VAC, AC11

### Approvals

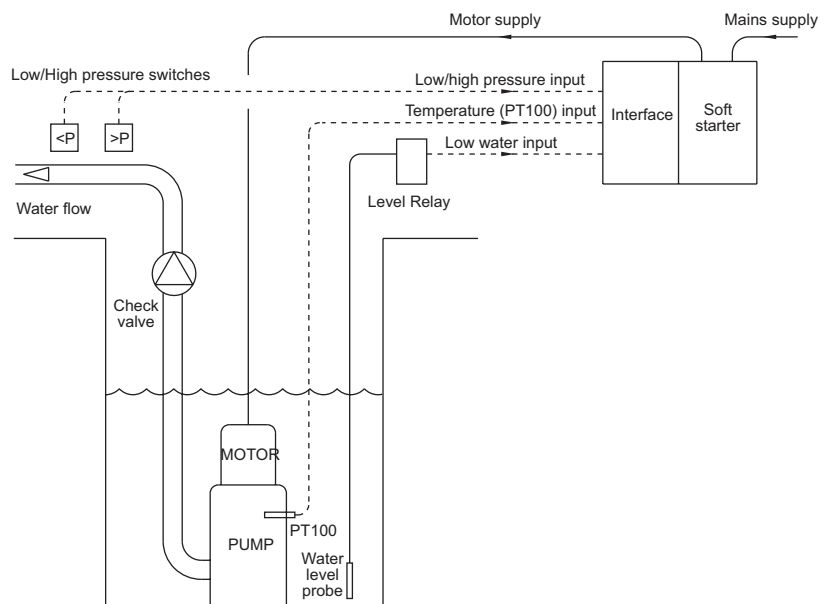
CE ..... IEC 60947-4-2  
 C✓ ..... IEC 60947-4-2

The Pump Application Interface communicates with the soft starter through the starter's serial communication port. The interface cannot be used in conjunction with other communication options.

## ELECTRICAL SCHEMATIC



## APPLICATION EXAMPLE



AuCom Electronics Ltd  
 123 Wrights Road, PO Box 80208  
 Christchurch 8440, New Zealand.  
 Phone: +64 3 338-8280 Fax: +64 3 338-8104  
 Internet: <http://www.aucom.com>

